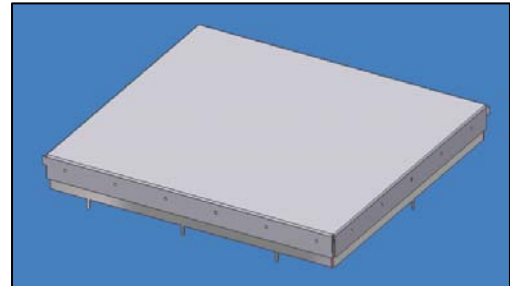


Flex-Tech® Shield Designs

Leader Tech Inc., the leading producer of Circuit Board Shielding announces the new **Flex-Tech® Shield Design** process. Using Leader Tech's unique and innovative standard design features, we make it easy to create custom circuit board shielding for your application. All you will have to do is determine what standard features you require for your shield design such as cover retention frame design, mounting method, locating pins, access holes/notches, heat dissipation, tape & reel packaging and any other custom features you may require for your application. Leader Tech will do the design for you and deliver a cost effective custom circuit board shield with the shortest lead time in the industry.

Leader Tech offers two standard Flex-Tech Shield Designs made from RoHS compliant alloy 770 nickel silver material which exhibits exceptional solder characteristics, corrosion resistance and excellent shielding effectiveness. The Click-Shield and Slot-Lok designs offer engineers unlimited size and placement flexibility with a unique cover-retention method that lets you 'hear' how well the cover is secured.

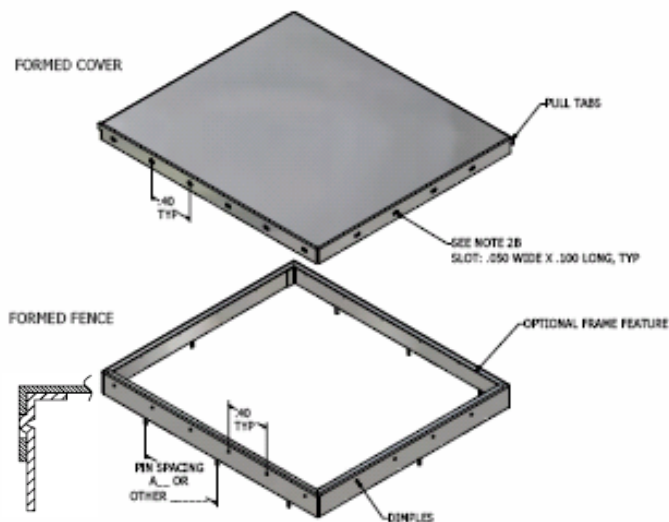
For more information on the Flex-Tech Shield Design process, call (813)855-6921 or visit us on the web at www.leadertechinc.com.



Flex-Tech® Standard Features:

- ✓ Unlimited board shield sizes.
- ✓ Surface mount or thru-hole designs.
- ✓ Alloy 770 nickel silver material.
- ✓ Standard or custom pin spacing.
- ✓ Variety of cover retention methods.
- ✓ Pull tabs for ease of cover removal.
- ✓ Custom access holes and notches.
- ✓ Available in multi-cavity configurations.
- ✓ Ventilation holes for cover.
- ✓ Rigid welded frame.
- ✓ RoHS Compliant

Flex-Tech® Slot-Lok Shield Design



Flex-Tech® Click-Shield Design

