

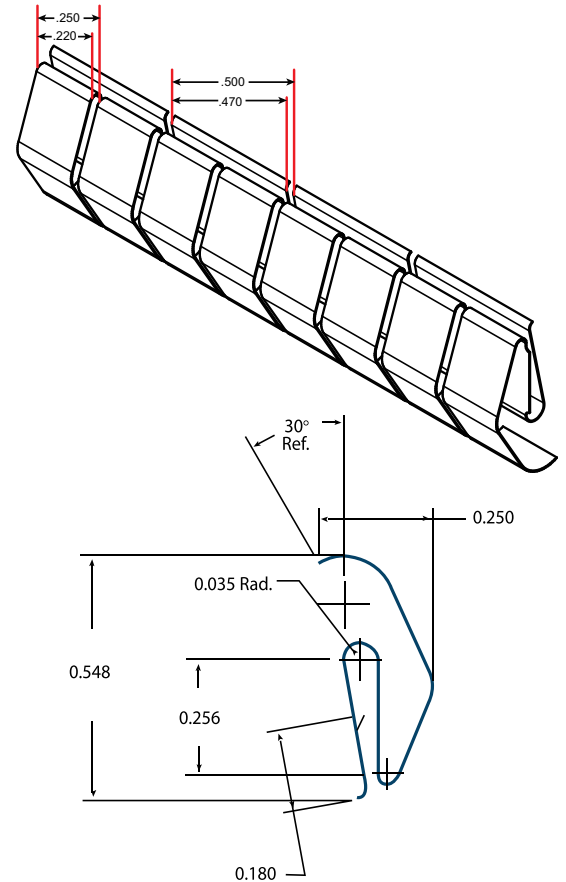
Clip-On Series

Perpendicular Shielding Gaskets



- Finger design allows for continuous contact across the length of the strip
- “D” lance provides superior retention of gasket to the mounting surface
- Available in several surface finish plating option
- .080 D-clip is retained with .100 D-hole

This gasket features a unique clip-on design variation that provides reliable electrical contact and shielding between perpendicular surfaces.



Clip-On Series

Perpendicular Electrical Grounding Strips



- Finger extension provides grounding from card or PCB to a backplane housing surface
- Wide clip-on area with “D” lance offers reliable retention
- Available in 12” or 16” lengths
- Several surface finish plating options are available
- .0035 material offers significant resiliency

