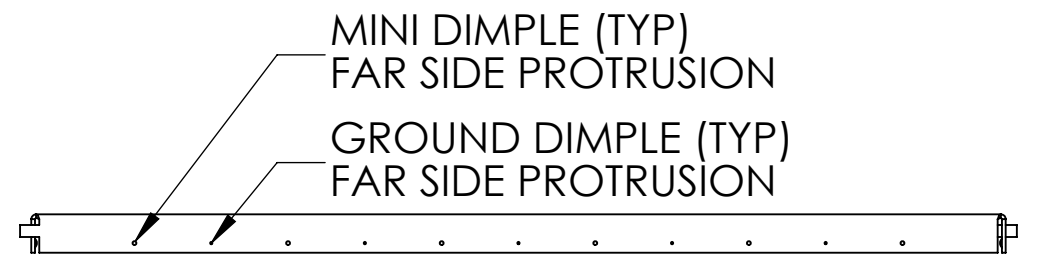
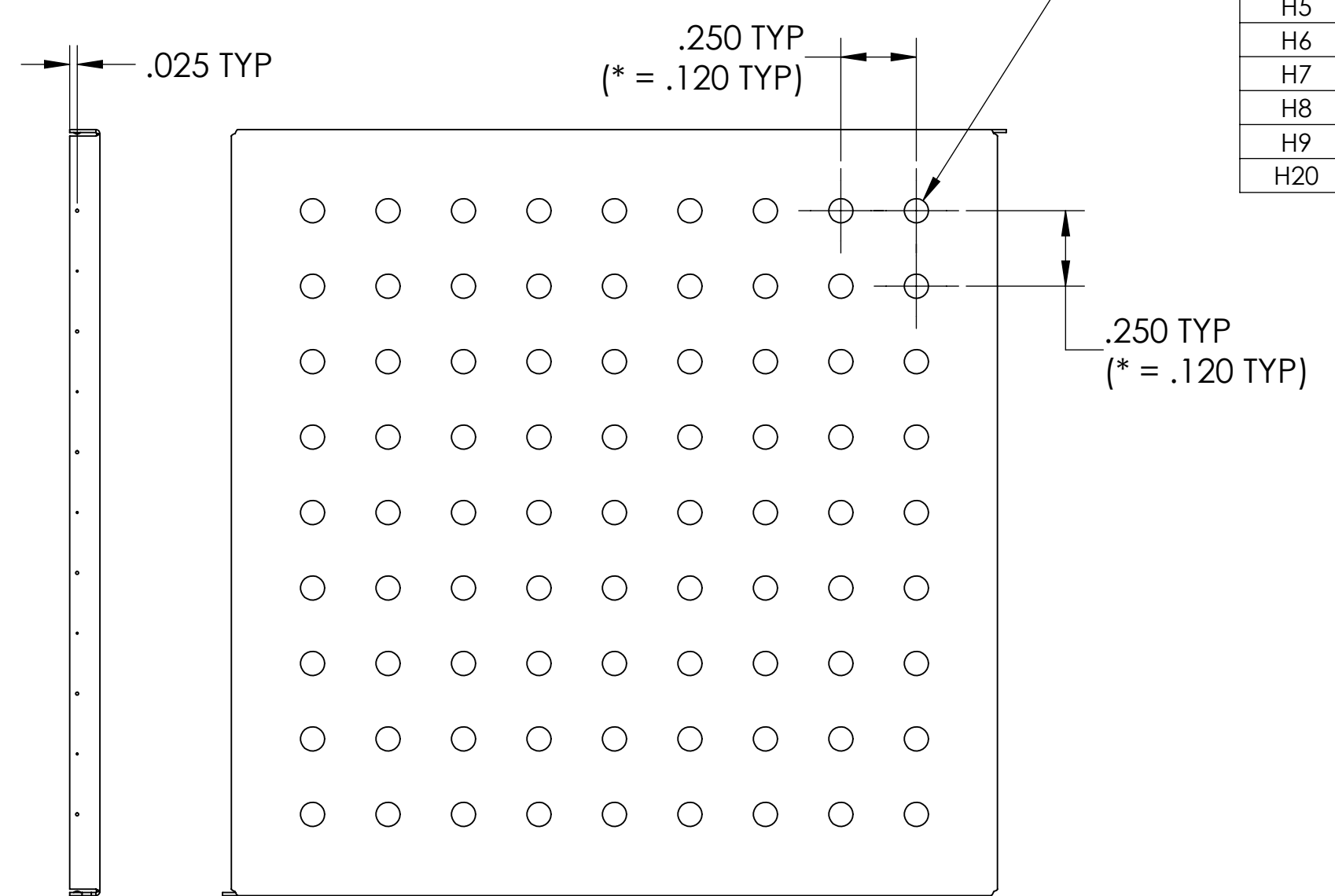


SV HOLE PATTERN

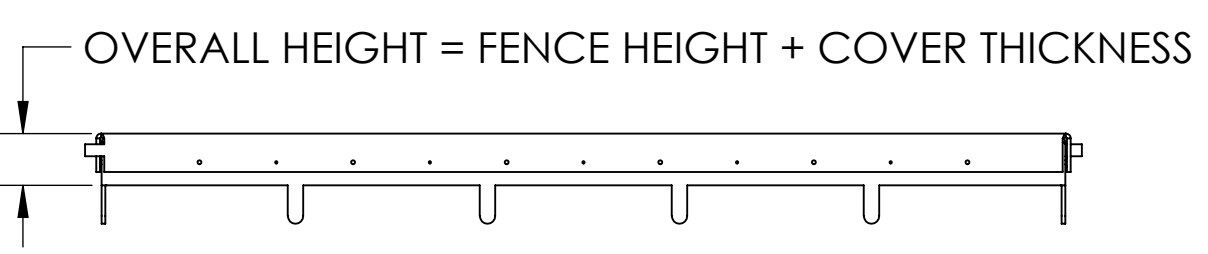


VENT HOLE OPTIONS	
TYPE	OPTION
H1	NONE
H2	∅.060 SV *
H3	∅.060 DV *
H4	∅.080 SV
H5	∅.080 DV
H6	∅.118 SV
H7	∅.118 DV
H8	∅.156 SV
H9	∅.156 DV
H20	CUSTOM

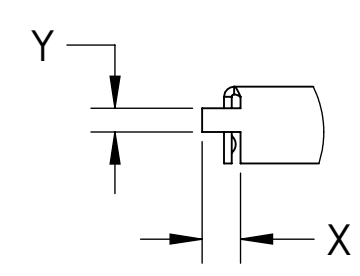


DV HOLE PATTERN

COVER HEIGHT		
TYPE	FRAME HEIGHT	COVER HEIGHT
C1	.090 TO .124	.080
C2	.125 TO .149	.100
-	.150 AND ABOVE	SEE SL-P01R

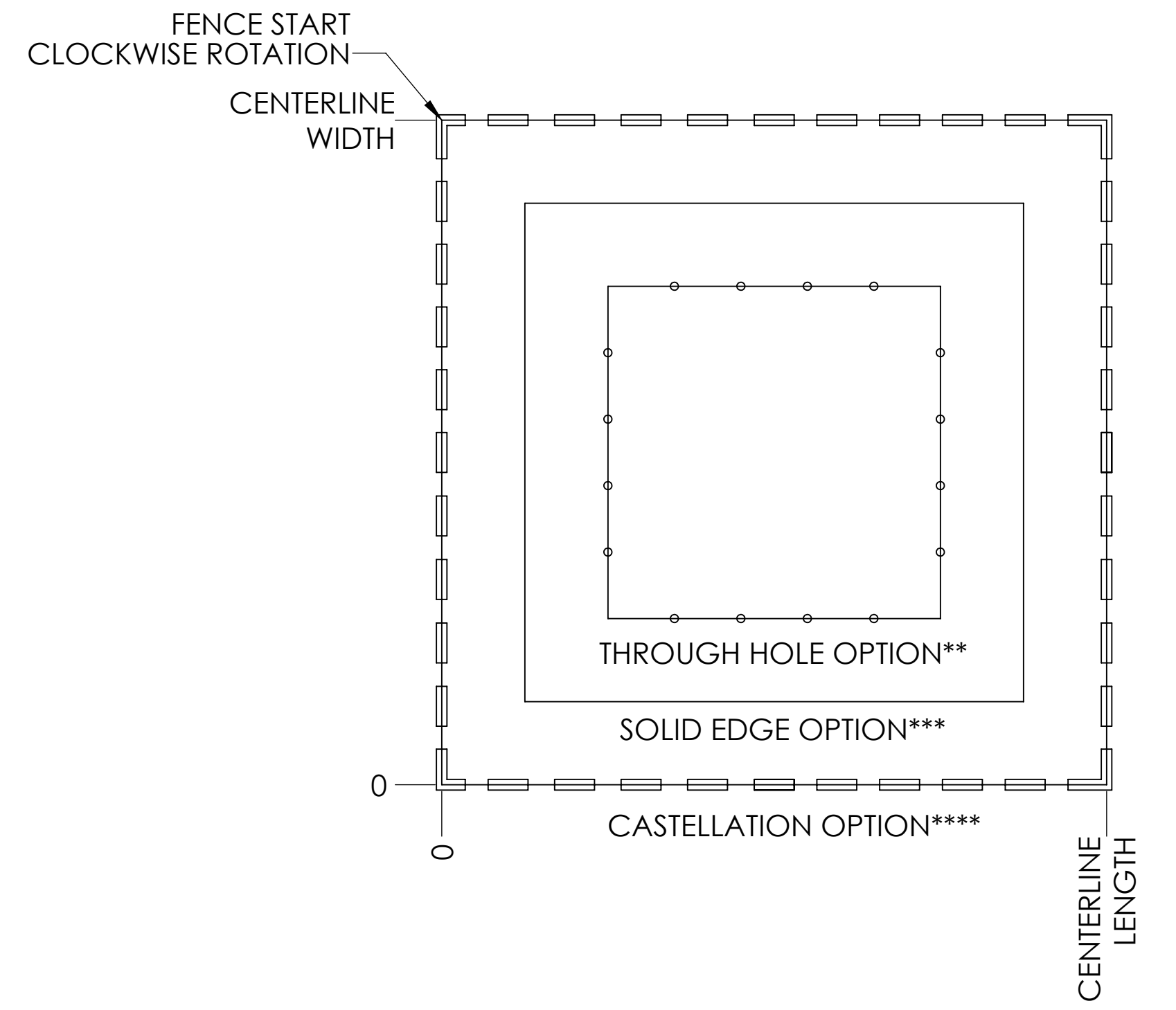
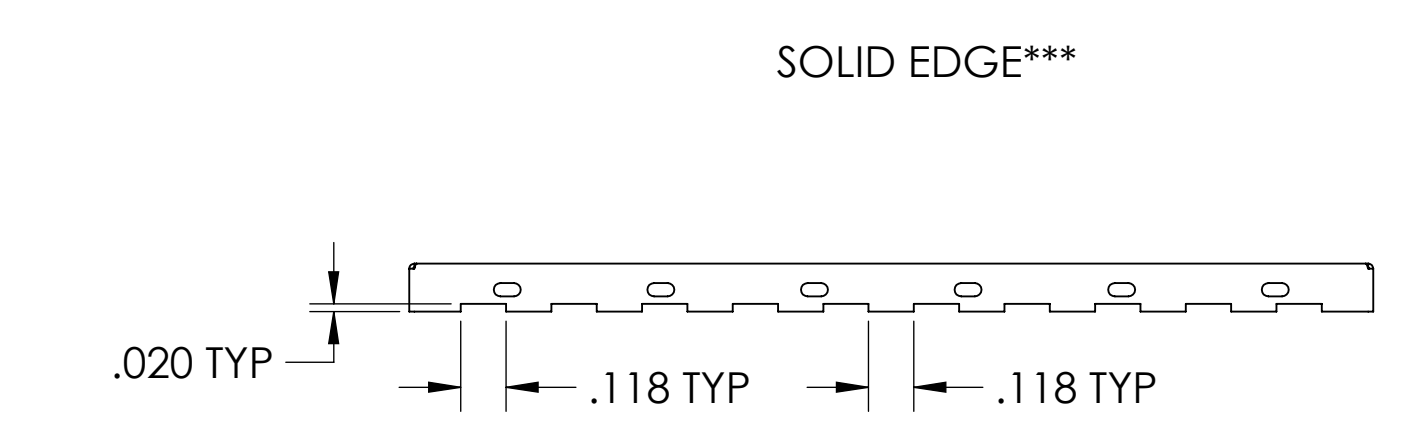
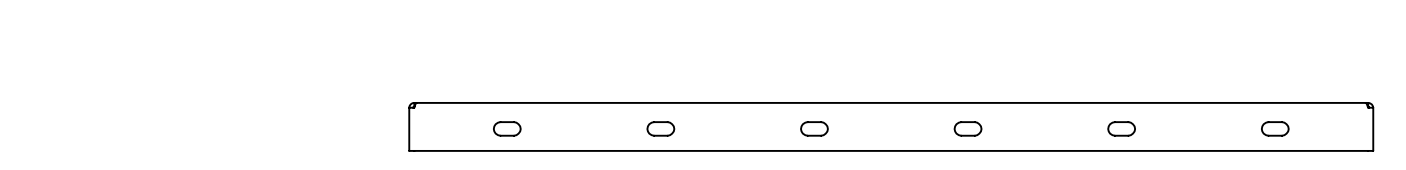
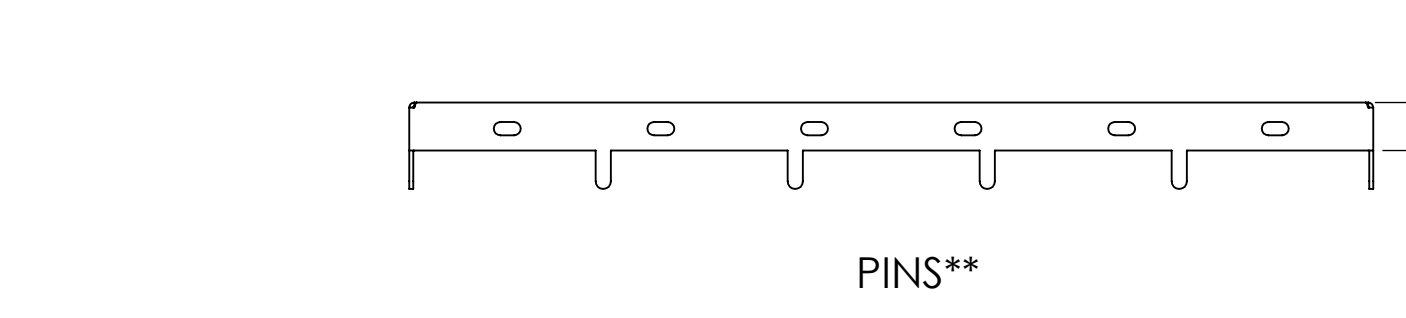
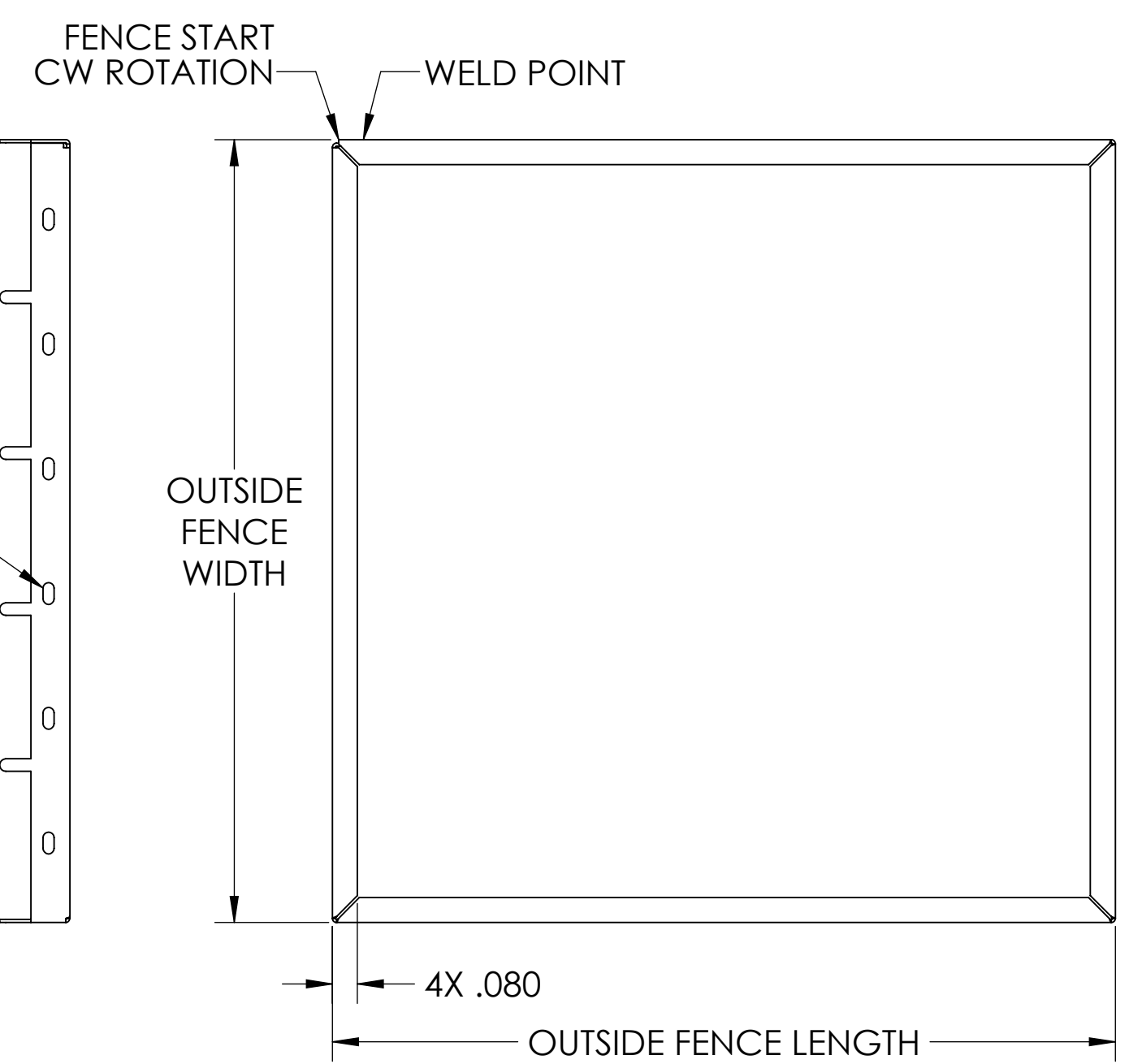


ASSEMBLY



DETAIL A
SCALE 4 : 1
PULL TAB

PULL TAB OPTIONS	
TYPE	OPTION
T1	NONE
T2	STANDARD (X=.065, Y=.095)
T3	MINI (X=.050, Y=.031)



EDGE OPTIONS	
TYPE	OPTION
E0	SOLID EDGE
E2	PIN .020W X .025L
E4	PIN .025W X .120L
E6	PIN .030W X .050L
E8	PIN .030W X .100L
E10	PIN .030W X .130L
E12	PIN .032W X .045L
E14	PIN .040W X .030L
E16	PIN .040W X .060L
E18	PIN .040W X .100L
E20	PIN .040W X .120L
E22	PIN .040W X .150L
E24	PIN .040W X .165L
E26	PIN .045W X .057L
E28	PIN .045W X .085L
E30	PIN .045W X .110L
E50	CASTELLATIONS
E60	CUSTOM

NOTES:

- PIN LOCATIONS AND FREQUENCY BASED ON THE APPLICATION
- FINISH:
 - ALLOY 770 : N/A
 - PRE TIN STEEL: BRIGHT (STANDARD) OR MATTE

MATERIAL OPTIONS		PACKAGING OPTIONS	
TYPE	OPTION	TYPE	OPTION
M1	.010 ALLOY 770	P1	STANDARD LAYER PACK
M3	.010 PRE TIN STEEL	P2	CUSTOM TRAY PACK
		P3	TAPE AND REEL
		P4	CUSTOM

PART CREATION	
FEATURE	TYPE/VALUE
CENTERLINE LENGTH	
CENTERLINE WIDTH	
OVERALL HEIGHT	
MATERIAL OPTION	
FINISH OPTION, SEE NOTE 2	
EDGE OPTION	
VENT HOLE OPTION	
COVER HEIGHT	
PULL TAB OPTION	
PACKAGING OPTION	

UNLESS OTHERWISE SPECIFIED:
 - ALL DIMENSIONS ARE IN INCHES
 - PART SHALL BE FREE OF BURRS AND SHARP EDGES
 - ALL DIMENSIONS SHOWN APPLY BEFORE PLATING AND COATINGS
 - ROHS COMPLIANT PER EU DIRECTIVE 2002/95/EC
 - POI = POINT OF INTERSECTION

THIRD ANGLE PROJECTION

LEADER TECH
 a HEICO company
 The Leading Edge in PMF Manufacturing Technology

TITLE: SL-LOK PRO LOW PROFILE ASSEMBLY

DRAWN BY: SEE NOTE 2
 APPROVED BY: SEE NOTE 2

SCALE: 2:1
 SHEET: 1 OF 1

THIS DOCUMENT CONTAINS PROPRIETARY INFORMATION OWNED BY LEADERTECH. IT IS TO BE USED FOR PRIVATE EXPENSE AND MAY NOT BE REPRODUCED, COPIED, OR DISCLOSED IN WHOLE OR IN PART FOR ANY PURPOSE INCLUDING DESIGN, MANUFACTURE OR PROCUREMENT WITHOUT THE WRITTEN PERMISSION OF LEADERTECH. LEADERTECH DOES NOT GUARANTEE OR WARRANT THE PERFORMANCE CHARACTERISTICS.